



391098 (E9CSPDC000)

Electric Chip Scuttle Top with 1 well

Main Features

- All major compartments located in front of unit for ease of maintenance.
- Easy-to-use control panel.
- The appliance is used to keep servings warm until ready to be served to customer.
- The special design of the control knob system guarantees against water infiltration.
- Unit supplied with a perforated GN 1/1 false bottom specially shaped for easier food collection.
- Unit to have infrared heating elements positioned on the back of the unit to increase holding time.
- Well able to contain 1/1 GN container with a maximum height of 150 mm.
- Typically used in combination with a fryer to allow fried portions to drip excess oil into the well basin.
- One-piece pressed working top in 2mm stainless steel with Scotch Brite finish to facilitate cleaning.
- Suitable for countertop installation.

Construction

- Model has right-angled side edges to allow flush fitting joints between units, eliminating gaps and possible dirt traps.
- IPX5 water resistance certification.
- All exterior panels in Stainless Steel with Scotch Brite finishing.



Optional Accessories

| PNC Code | Description |
|-------------------------------|---|
| Bridge supports | |
| 206137 | Support for bridge type installation, 800mm |
| 206138 | Support for bridge type installation, 1000mm |
| 206139 | Support for bridge type installation, 1200mm |
| 206140 | Support for bridge type installation, 1400mm |
| 206141 | Support for bridge type installation, 1600mm |
| 206154 | Support for bridge type installation, 400mm |
| Chimney upstands | |
| 206303 | Chimney upstand, 400mm |
| Feet, wheels and ramps | |
| 206135 | Kit 4 wheels - 2 swivelling with brake - it is mandatory to install Base support and wheels |
| Handrails | |
| 206308 | Back handrail 800 mm |
| 206309 | Back handrail 1200 mm |
| 216044 | Side handrail-right/left hand (900XP) |
| 216046 | Frontal handrail, 400mm |
| 216047 | Frontal handrail, 800mm |
| 216049 | Frontal handrail, 1200mm |
| 216050 | Frontal handrail, 1600mm |
| 216185 | Large handrail - portioning shelf, 400mm |
| 216186 | Large handrail - portioning shelf, 800mm |
| Installation solutions | |
| 206086 | Junction sealing kit |
| Panels | |
| 216278 | 2 side covering panels for top appliances |

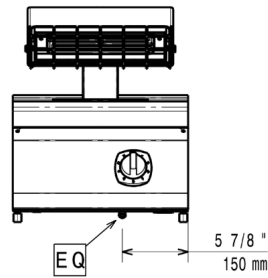


Technical specifications

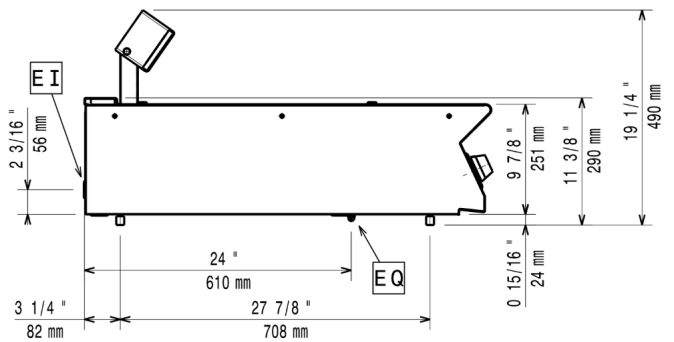
Electric

| | |
|----------------------------------|-------------------------|
| Supply voltage: | 220-230 V/1 ph/50-60 Hz |
| Electrical power max.: | 1 kW |
| Total Watts: | 1 kW |
| Predisposed for: | |
| Key Information: | |
| Usable well dimensions (width): | 306 mm |
| Usable well dimensions (height): | 156 mm |
| Usable well dimensions (depth): | 510 mm |
| External dimensions, Width: | 400 mm |
| External dimensions, Depth: | 930 mm |
| External dimensions, Height: | 250 mm |
| Net weight: | 28 kg |
| Shipping weight (gross): | 32 kg |
| Shipping height: | 640 mm |
| Shipping width: | 480 mm |
| Shipping depth: | 1020 mm |
| Shipping volume: | 0.31 m ³ |
| Certification group: | ECS9 |

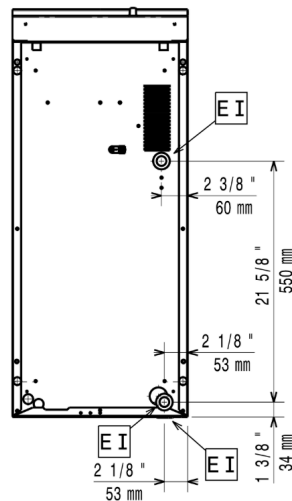
Front



Side



Top



EI = Electrical inlet (power)



Find out more:
ISO Certificates
Electrolux Professional Recognitions

The company reserves the right to make modifications to the products without prior notice. All information correct at time of printing.

2026/06/25

3/3